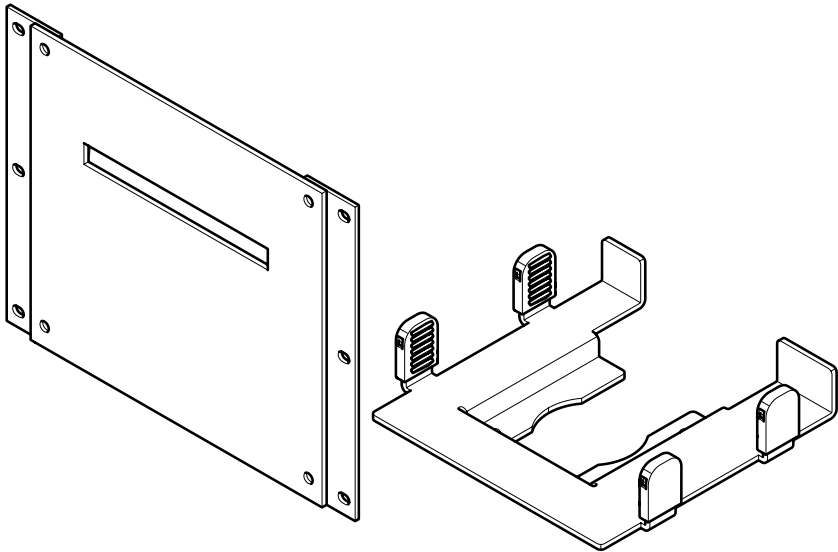


# Installation Guide

**SPK613**

**Kiosk integrated printer cover + printer plate  
for HP H400**





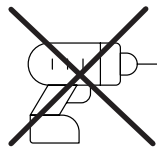
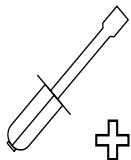
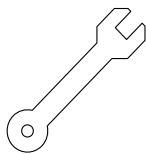
## **CAUTION**

This product is intended for indoor use only.

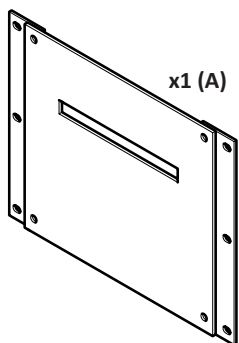
If these installation instructions are not followed correctly, it could lead to product failure and potential personal injury.

Ergonomic Solutions/SpacePole cannot be held responsible for any failure or injury, if the installation instructions are not followed correctly.

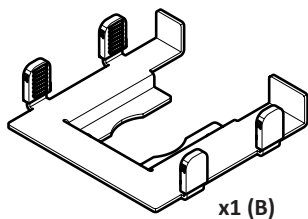
## Tool list



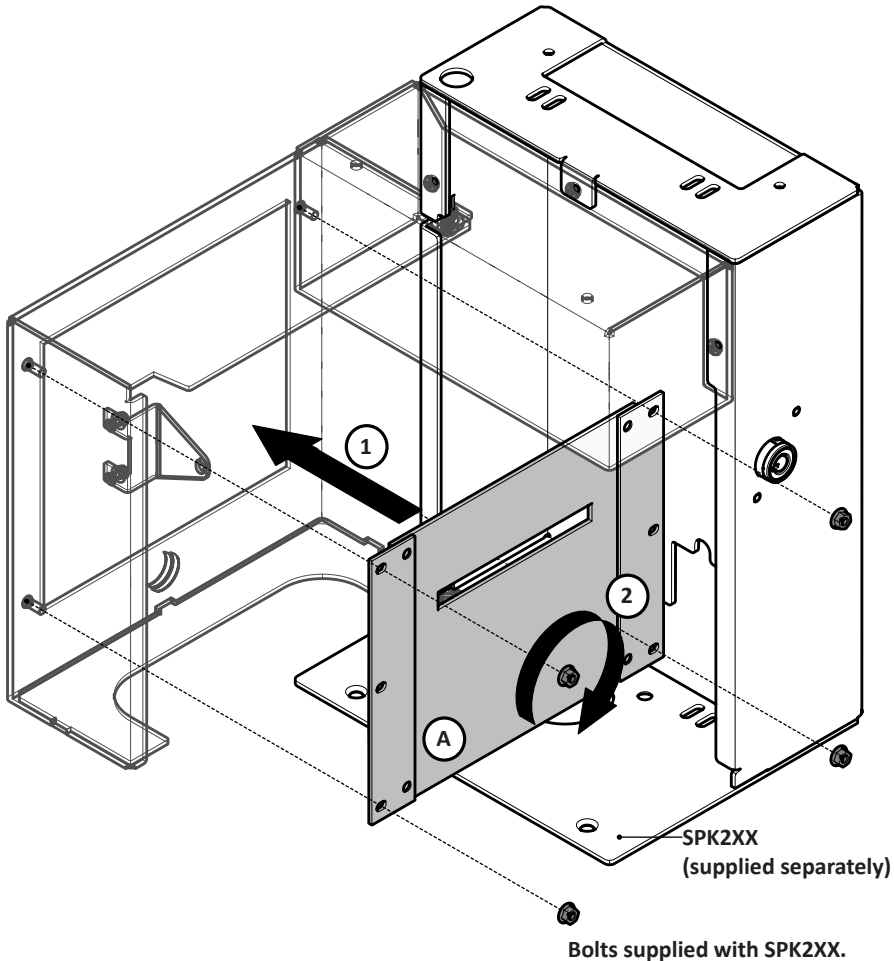
## Box content



x2 M5x6 countersunk

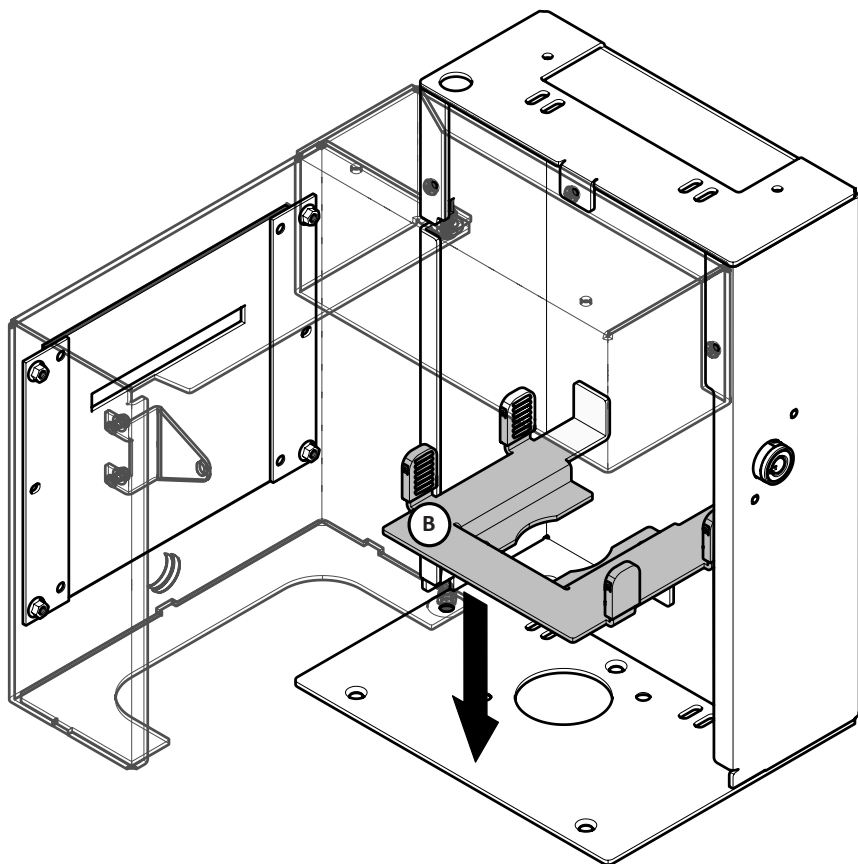


**1** Mount printer cover (A) on to the Center module

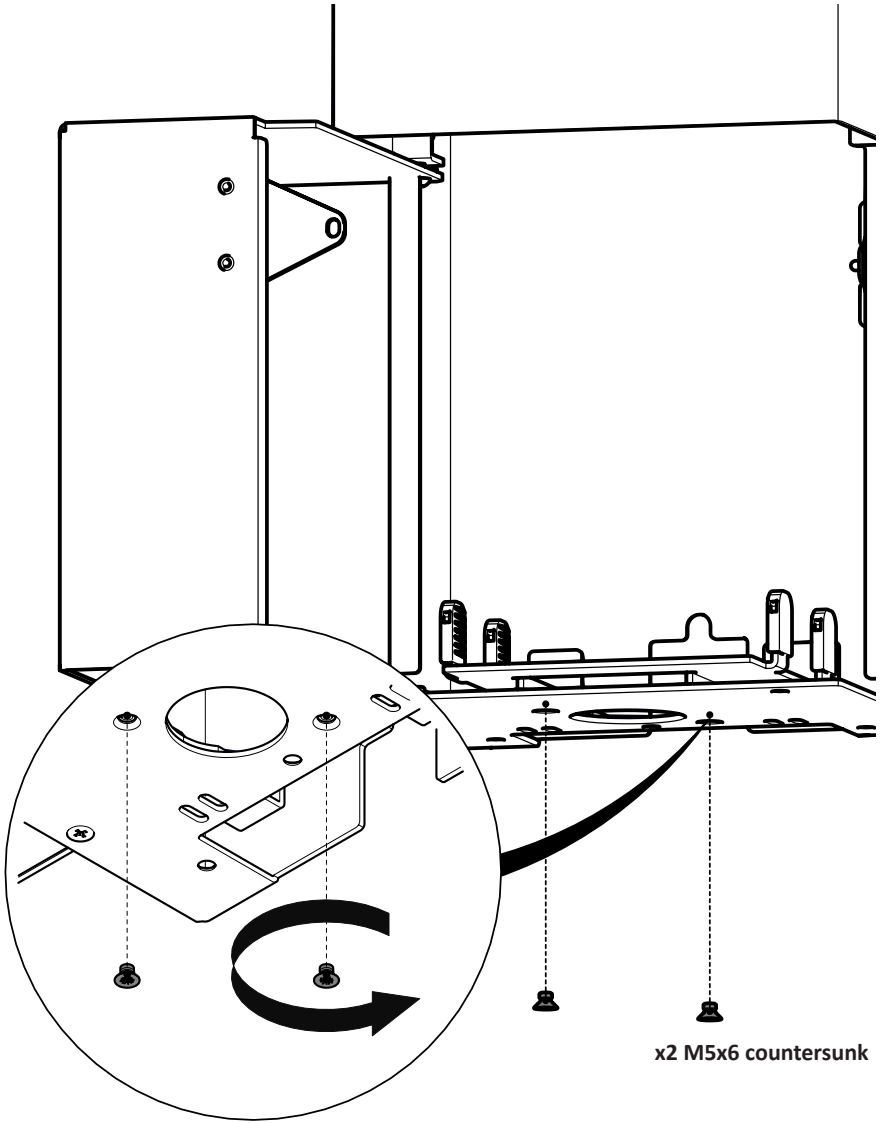


2

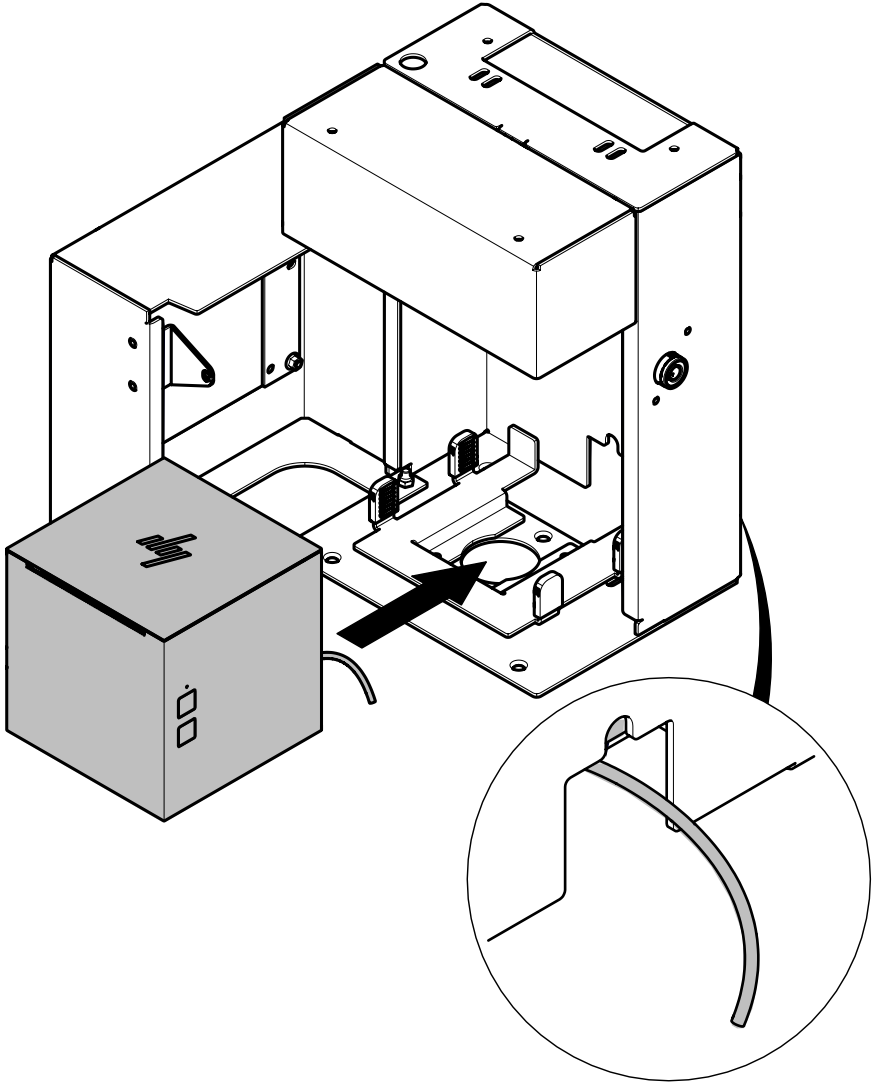
Mount printer plate (B) on to the Center module



**3** Secure printer plate (B)



4 Place the printer on the printer plate



Need help? Contact us



[ergonomic.solutions/about/contact-us](http://ergonomic.solutions/about/contact-us)

[spacepole.com/about/contact-us](http://spacepole.com/about/contact-us)